

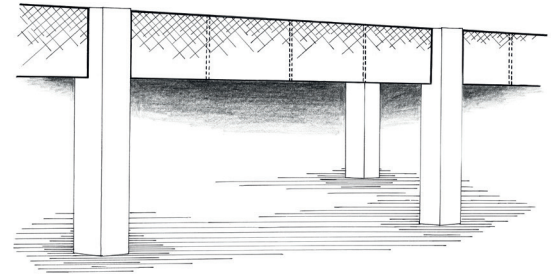


SMOKEbarrier ST

TEXTILE STATIC SMOKE BARRIER

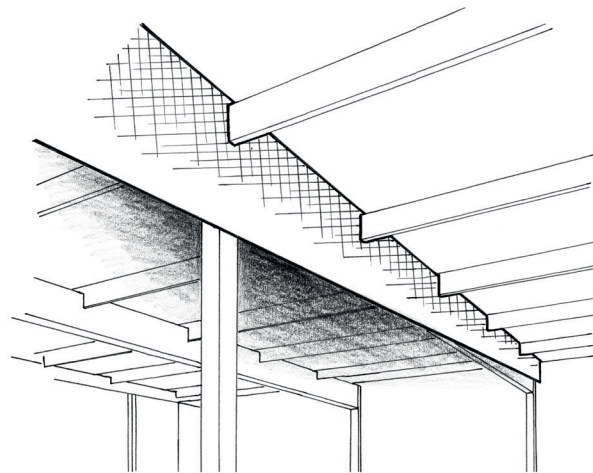


FIRE RESISTANCE CLASSIFICATION:
D 120



PRODUCT DESCRIPTION

- › Made of special, fire-resistant textile 0.4 mm thick with surface coating.
- › Small space requirements, the design of the barrier enables assembly without any additional special structures, fixed between concrete, masonry or steel profiles.
- › Textile can be connected into a line, creating an unlimited length of the barriers.
- › Option of any shapes and shaping around hanging installations.
- › Very light (textile = 0.45 kg/m²).
- › Optional seals in trapezoidal sheets are made using mineral wool or galvanized sheet.
- › All visible steel parts of the curtain are made from galvanized sheet upon request coated using RAL sampler.



CE



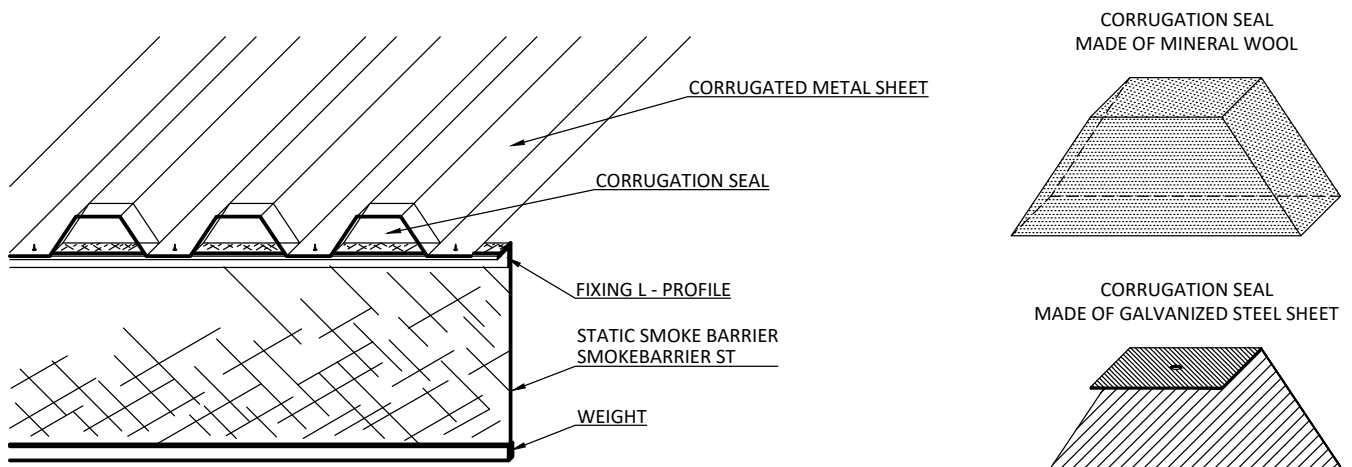
CERTIFICATION

Smoke barrier **SMOKEbarrier ST** has been successfully tested in fire testing centre FIRES s.r.o., classified as per EN 12101-1, and covered by CE certificate No. 1396-CPR-0028. / For more information, contact: projekce@avaps.cz

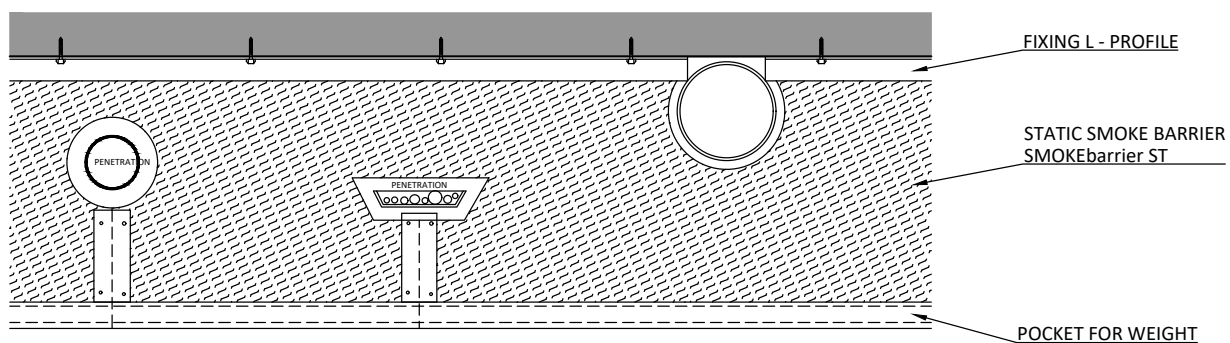
Manufacturer issues declaration of performance for individual orders in compliance with Regulation of the European Parliament and Council (EU) No. 305/2011.



TECHNICAL INFORMATION



PENETRATION THROUGH TEXTILE SMOKE BARRIER



THE TEXTILE IS SPLIT AS CLOSELY AS POSSIBLE AROUND PENETRATIONS AND FIRMLY CONNECTED BY METAL SHEETS WITH RIVETS

This drawing and copyright belong to AVAPS s.r.o. Do not copy without AVAPS s.r.o. authorisation.

MAINTENANCE AND REPAIR SERVICES

We provide professional warranty and post-warranty service and revisions according to applicable laws for all our products.

Contact: +420 777 911 770 / service@avaps.eu

